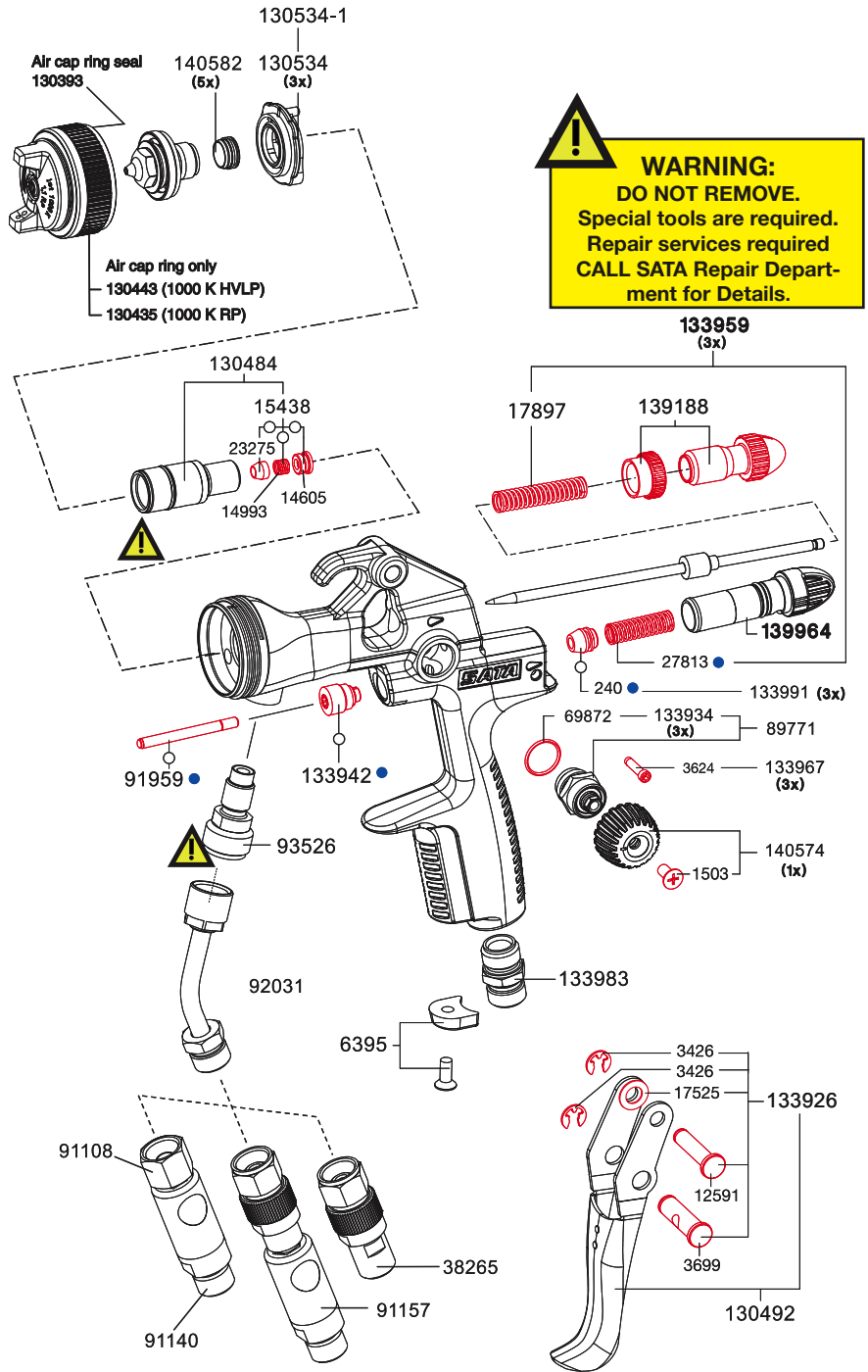


Spare Parts SATAjet® 1000 K

Order No./Desc.	
40	Seal, air piston
901	Wrench, universal spanner
1503	Screw, fan control
3426	Circlip, pin
3509	Brush, large standard
3624	Pin, air micrometer
3699	Pin, lower trigger
6395	Disc, CC (standard), pk of 4
9647	Allen wrench, 4
10520	Spring, needle, pk of 12 #17897
12591	Pin, upper trigger
14605	Bushing, needle
14993	Spring, needle bushing
15438	Kit, needle packing
17152	Spring, air piston, pk of 12 #27812
17525	Washer, tension spring
17897	Spring, needle
23275	Seal, needle
27813	Spring, air piston
38265	Material filter, R 3/8
64543	Allen wrench, 2
69872	O-ring, fan control
82826	Kit, air piston service set
89771	Control, RH w/O-ring
91108	QC nipple only
91140	QC w/nipple
91157	QC w/filter and nipple
91959	Air piston
92031	Paint pipe, R 3/8
92577	Tool set
93526	Material connection
130393	Seal, air cap ring
130435	Air cap ring only (RP)
130443	Air cap ring only (HVLP)
130484	Insert w/needle packing kit
130492	Kit, trigger
130534	Ring, air distribution, pk of 3
130534-1	Ring, air distribution, each
130542	Kit, Repair, Jet 1000 K
133926	Kit, trigger sleeve
133934	O-ring, fan control, pk of 3
133942	Bushing, air piston
133959	Kit, spring, 3 each of #27813 & #17897
133967	Pin, air micrometer, pk of 3
133983	Fitting, air inlet, R ?
133991	Seal, air piston, pk of 3
139188	Kit, fluid control and lock nut
139964	Air micrometer, standard
140574	Knob, fan control w/screw
140582	Seal, fluid tip, pk of 5
143230	Air distribution ring (3 pk)



92577 Tool Kit	
901	Universal spanner wrench
3509	Cleaning brush
9647	Internal hex wrench
64543	Allen wrench
43638	Extraction tool

Order No./Desc.	
130542	Repair kit
92759	Air piston service set
183780	Sealing Kit

Technical modifications and printing errors reserved